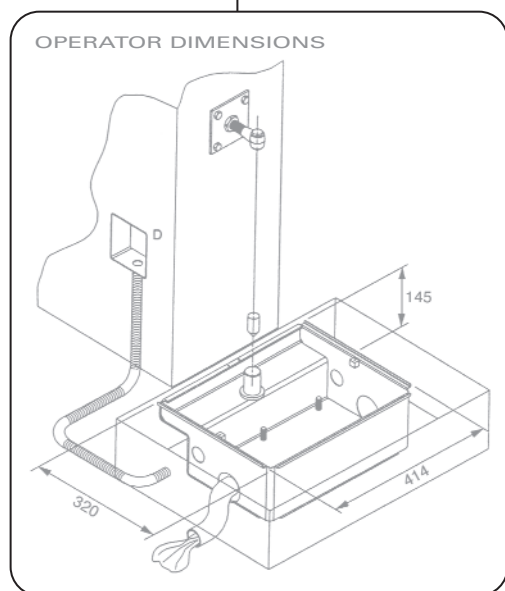
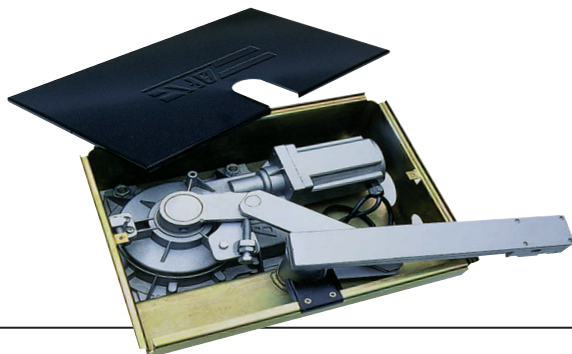




# BFT Model ELI 250

**Mechanical Underground Operator, 230v & 24v versions available**



Situated below ground and aligned with the gate hinge, the ELI 250 motor provides a neat and inconspicuous automation system for ornate swing gates.

The ELI 250 is an electro-mechanical operator suitable for use in domestic applications. Integral gate stops (within the foundation box) assist installation. *Ground stops are recommended for heavy gates.*

The load bearing foundation box can be pre-installed, when hanging the gates, and the motors retro fitted.

**3 Models of ELI 250 motor cater for different gate sizes & opening angles:**

**ELI 250 V**  
For fast operation of gates up to 2000mm per leaf.

**ELI 250**  
For operation of gates up to 2500mm per leaf (3000mm with lock) 180° conversion kit available.

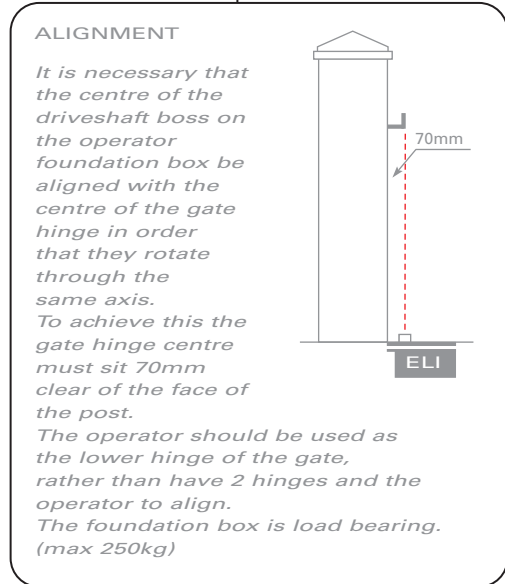
**ELI 250 BT**  
24v DC motor with limit switches.

**Suitable for:**  
Ornate Metal and Timber gates, Medium close boarded (wind affected) gates, Domestic duty.

**Recommended control panels:**  
BFT ALTAIR (230v)  
BFT LIBRA (24v)  
Both with LCD Programming.

**Will it fit? Check Mounting Dimensions on page 4.**

**2 YEAR WARRANTY**



- ▲ ELI 250 KIT INCLUDES:**
- 2 x ELI 250 MOTORS & FOUNDATION BOXES
  - 1 x CONTROL PANEL & RECEIVER
  - 2 x RADIO TRANSMITTERS
  - 1 x ANTENNA
  - 1 x PAIR SAFETY BEAMS

|                                  |  |
|----------------------------------|--|
| <b>TECHNICAL SPECIFICATIONS:</b> |  |
| ELECTRO-MECHANICAL 230v          | ABSORBED POWER: 270w                       |
| DOMESTIC USE                     | MAX TORQUE: 380Nm                          |
| SELF LOCKING                     | OPENING SPEED THRU' 90°: 12 seconds – 250V |
| MAX GATE LEAF: 2000mm ELI 250V   | 21 seconds – 250                           |
| 2500mm ELI 250                   | MAX OPENING ANGLE: 110° – ELI 250          |
| (3000mm with lock)               | 180° – ELI 250 180                         |